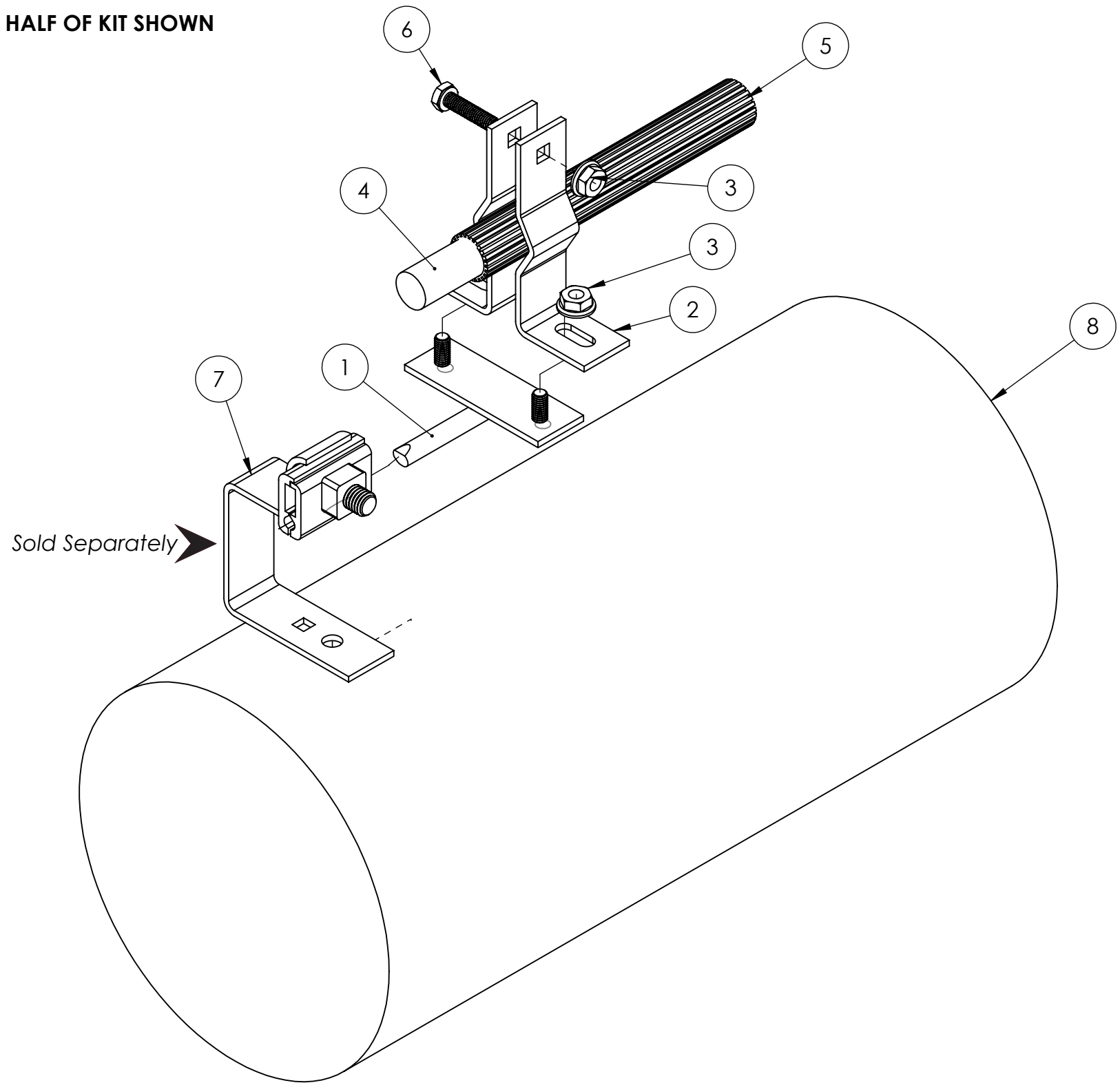


***ONLY ONE HALF OF KIT SHOWN**



ITEM NO.	PART NUMBER	QTY.
1	Rod Stud Bracket	2
2	Kit Bracket	4
3	1/4" - 20 Flanged Nut	6
4	Fiber Cable	1
5	Armor Rod	1
6	1/4" -20 x 1.0" Carriage Bolt	2
7	Standard MFR. Messenger Mounting Bracket <i>Sold Separately</i>	2
8	Splice Closure	1
Not Shown	1/4" - 20 Flat Washer	6

Adapts dead end, armor rod, or fiberglass extension arm for use with standard splice closure manufacturer's messenger mounting hardware.

PROPRIETARY AND CONFIDENTIAL
 THE INFORMATION CONTAINED IN THIS DRAWING IS THE SOLE PROPERTY OF <INSERT COMPANY NAME HERE>. ANY REPRODUCTION IN PART OR AS A WHOLE WITHOUT THE WRITTEN PERMISSION OF <INSERT COMPANY NAME HERE> IS PROHIBITED.

UNLESS OTHERWISE SPECIFIED:		NAME	DATE	OPTI-Loop Fiber Optic Storage System For ADSS Cable TITLE: UB-1 Splice Closure Mounting Kit	
DIMENSIONS ARE IN INCHES		DRAWN	JD		082410
TOLERANCES:		CHECKED	EG		082610
FRACTIONAL ±		ENG APPR.	JF		082610
ANGULAR: MACH ± BEND ±		MFG APPR.			
TWO PLACE DECIMAL ±		Q.A.			
THREE PLACE DECIMAL ± .020		COMMENTS:			
INTERPRET GEOMETRIC TOLERANCING PER:					
MATERIAL					
FINISH					
NEXT ASSY	USED ON				
APPLICATION		DO NOT SCALE DRAWING			
SIZE	DWG. NO.	REV			
B					
SCALE: 1:2	WEIGHT:	SHEET 1 OF 1			