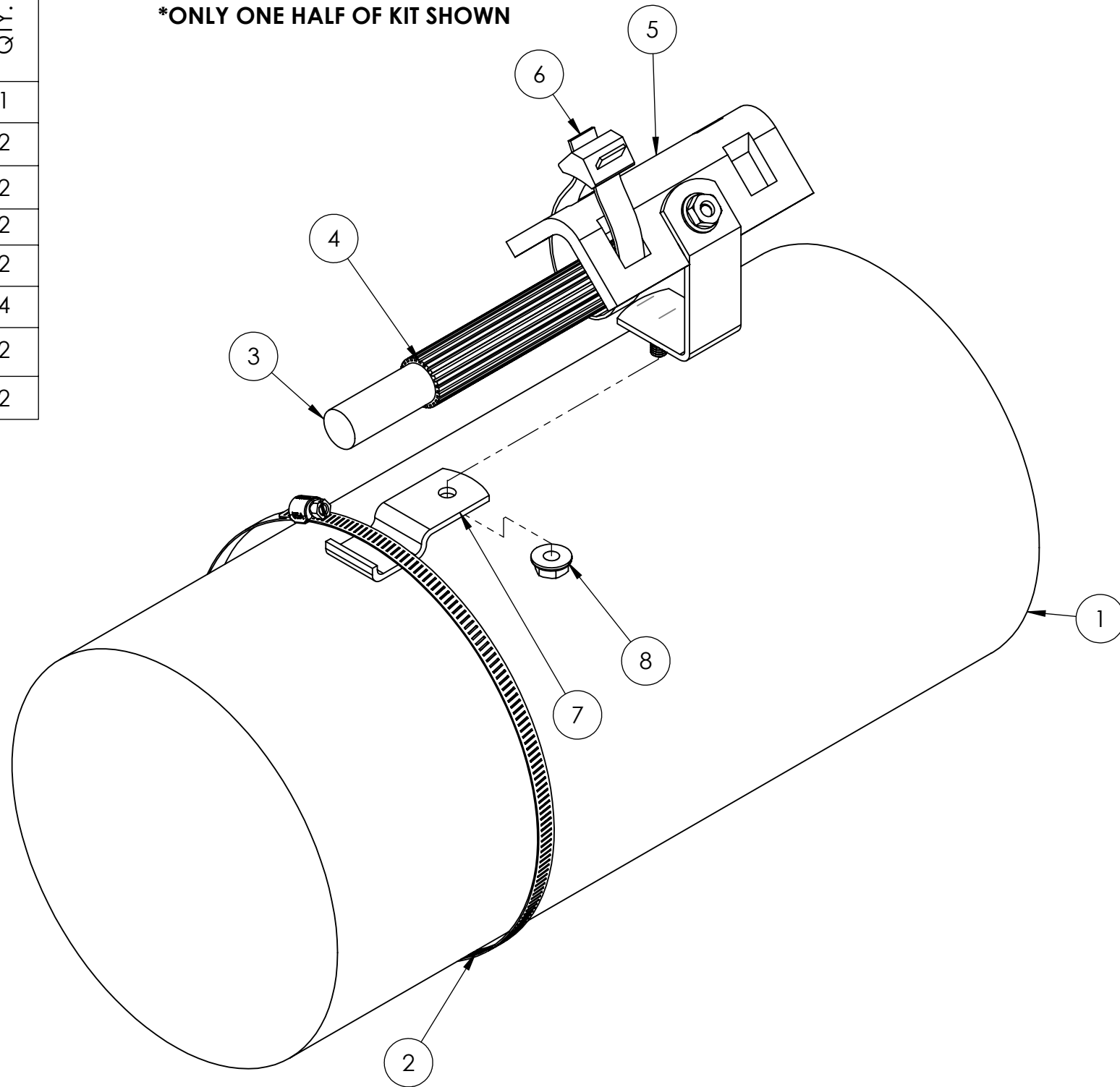


| ITEM NO. | PART NUMBER           | QTY. |
|----------|-----------------------|------|
| 1        | Splice Closure        | 1    |
| 2        | Universal Band        | 2    |
| 3        | Fiber Cable           | 2    |
| 4        | Grommet               | 2    |
| 5        | Direct Attach Bracket | 2    |
| 6        | Delrin Tie Wrap       | 4    |
| 7        | Direct Attach Clip    | 2    |
| 8        | 1/4" - 20 Flanged Nut | 2    |

**\*ONLY ONE HALF OF KIT SHOWN**



For mounting splice closures directly to ADSS fiber cable.

PROPRIETARY AND CONFIDENTIAL  
 THE INFORMATION CONTAINED IN THIS DRAWING IS THE SOLE PROPERTY OF <INSERT COMPANY NAME HERE>. ANY REPRODUCTION IN PART OR AS A WHOLE WITHOUT THE WRITTEN PERMISSION OF <INSERT COMPANY NAME HERE> IS PROHIBITED.

|             |         |                                      |  |           |      |  |  |
|-------------|---------|--------------------------------------|--|-----------|------|--|--|
|             |         | UNLESS OTHERWISE SPECIFIED:          |  | NAME      | DATE | <b>OPTI-LOOP</b><br>Fiber Optic Storage Systems for ADSS Cable |  |
|             |         | DIMENSIONS ARE IN INCHES             |  | DRAWN     | JD   |  |  |
|             |         | TOLERANCES:                          |  | CHECKED   | EG   | 081610   | <b>Direct Attach Mounting Bracket Assembly</b> |
|             |         | FRACTIONAL ±                         |  | ENG APPR. | JF   | 081610   |  |
|             |         | ANGULAR: MACH ± BEND ±               |  | MFG APPR. |      |  |  |
|             |         | TWO PLACE DECIMAL ±                  |  | Q.A.      |      |  |  |
|             |         | THREE PLACE DECIMAL ± .020           |  | COMMENTS: |      |  |  |
|             |         | INTERPRET GEOMETRIC TOLERANCING PER: |  |           |      |  |  |
|             |         | MATERIAL                             |  |           |      |  |  |
|             |         | FINISH                               |  |           |      |  |  |
| NEXT ASSY   | USED ON |                                      |  |           |      |  | SIZE   |
| APPLICATION |         | DO NOT SCALE DRAWING                 |  |           |      |  | <b>B</b>                                       |
|             |         |                                      |  |           |      |  | DWG. NO.                                       |
|             |         |                                      |  |           |      |  | REV  |
|             |         |                                      |  |           |      |  | SCALE: 1:2                                     |
|             |         |                                      |  |           |      |  | WEIGHT:  |
|             |         |                                      |  |           |      |  | SHEET 1 OF 1                                   |